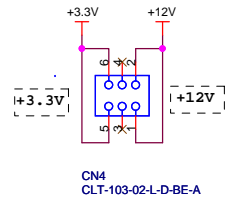
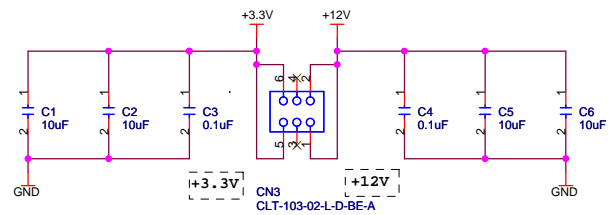
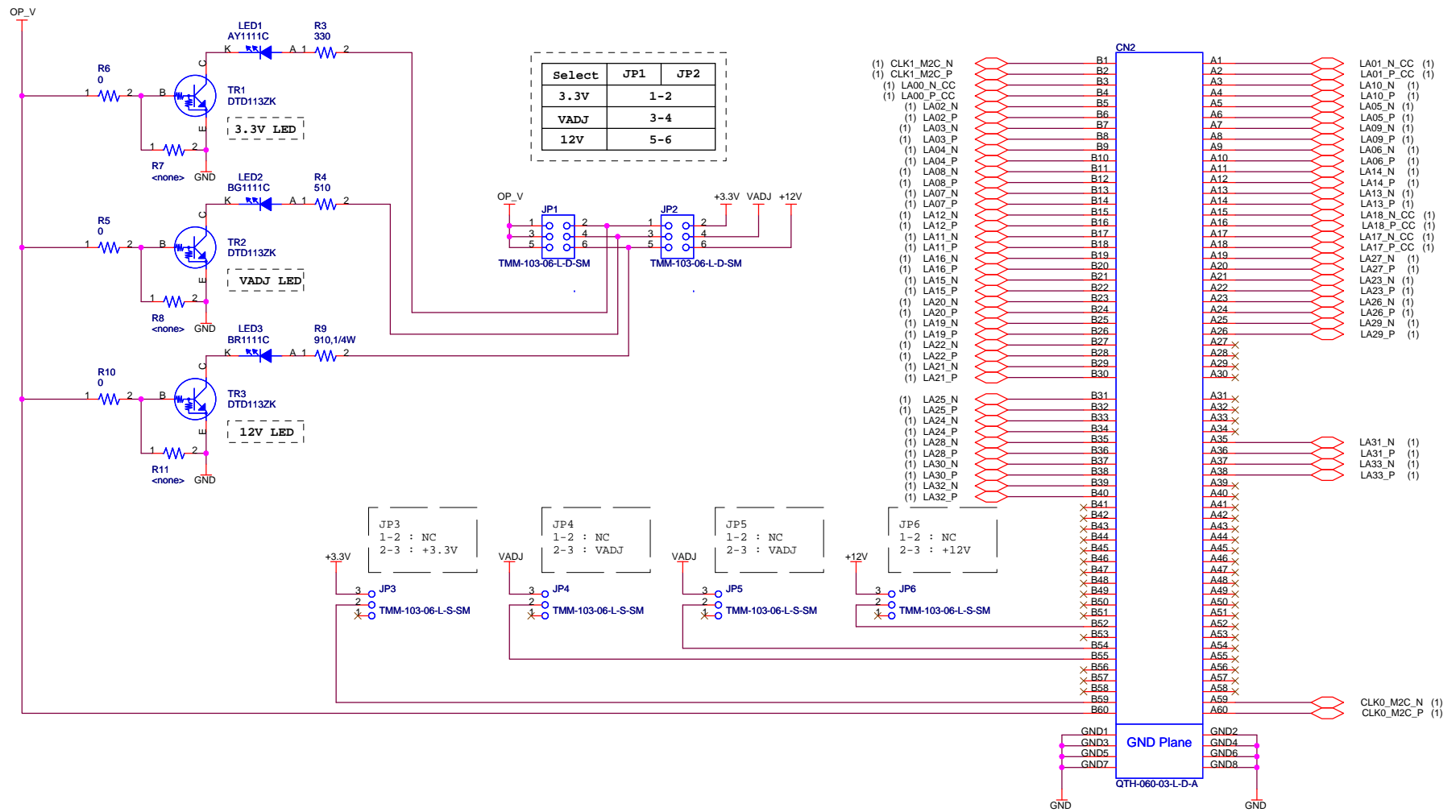


FMC Connector (LPC)

Title		
TB-FMCL-TypeA		
Size	Document Number	Rev
A3	417-2E1401-023	2.0
Date:	Thursday, September 24, 2009	Sheet 1 of 2



Samtec Connector

Title TB-FMCL-TypeA		
Size A3	Document Number 417-2E1401-023	Rev 2.0
Date: Thursday, September 24, 2009	Sheet 2	of 2