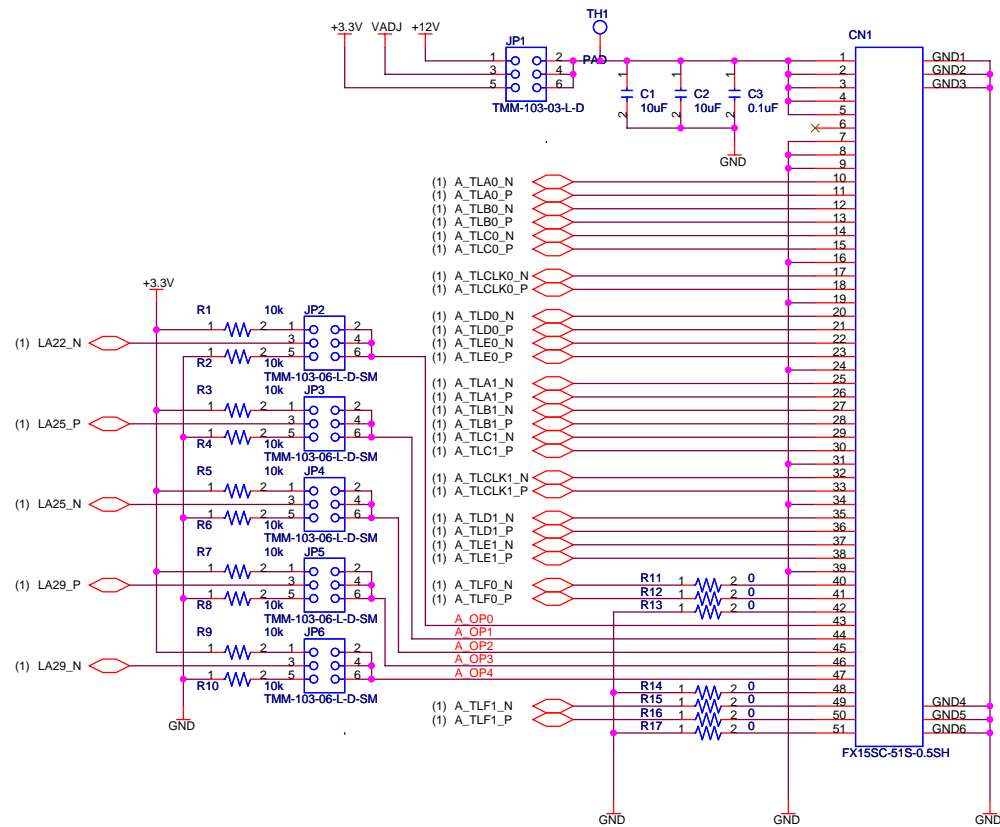


FMC Connector (LPC)

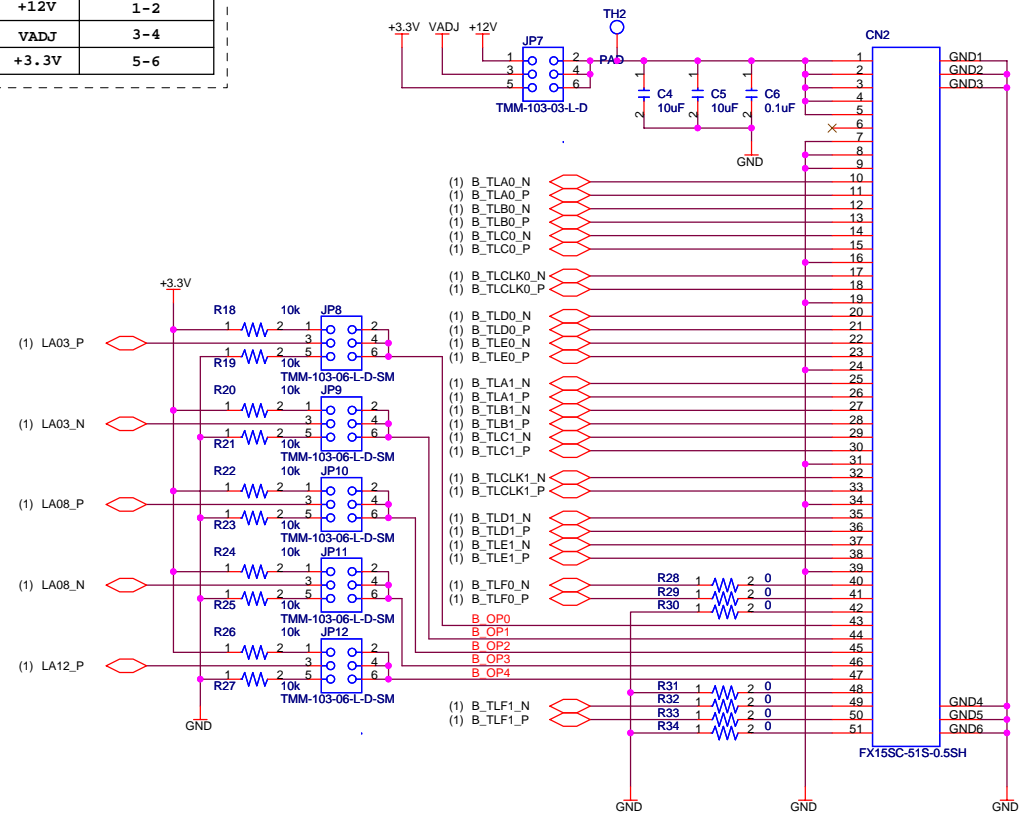
| | | | |
|--------------|----------------------------|-------|--------|
| Title | | | |
| TB-FMCL-LVDS | | | |
| Size | Document Number | Rev | |
| A3 | 417-2E1001-013 | 1.0 | |
| Date: | Monday, September 28, 2009 | Sheet | 1 of 2 |

CN1_V

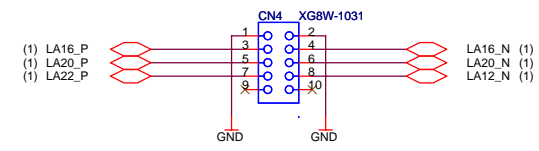
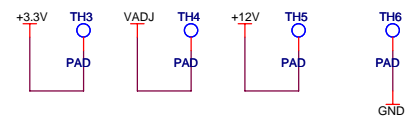


| Select | JP1 | JP7 |
|--------|-----|-----|
| +12V | 1-2 | |
| VADJ | 3-4 | |
| +3.3V | 5-6 | |

CN2_V



+3.3V **VADJ** **+12V** **GND**



LVDS Connector

| | | |
|-------|----------------------------|--------------|
| Title | | TB-FMCL-LVDS |
| Size | Document Number | Rev |
| A3 | 417-2E1001-013 | 1.0 |
| Date: | Monday, September 28, 2009 | Sheet 2 of 2 |