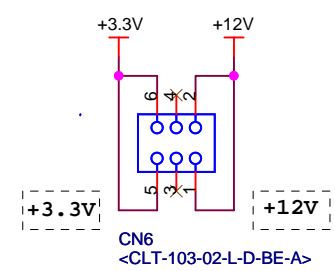
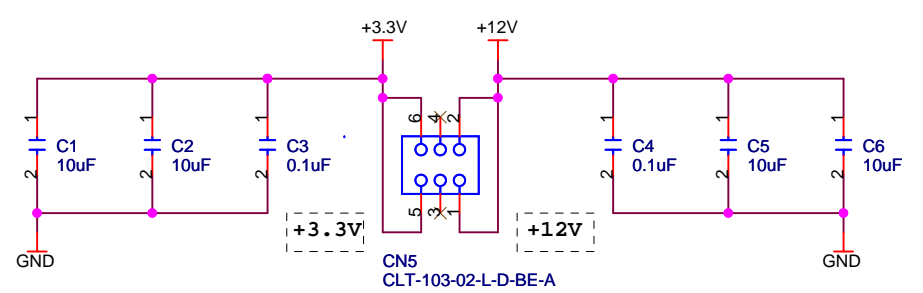
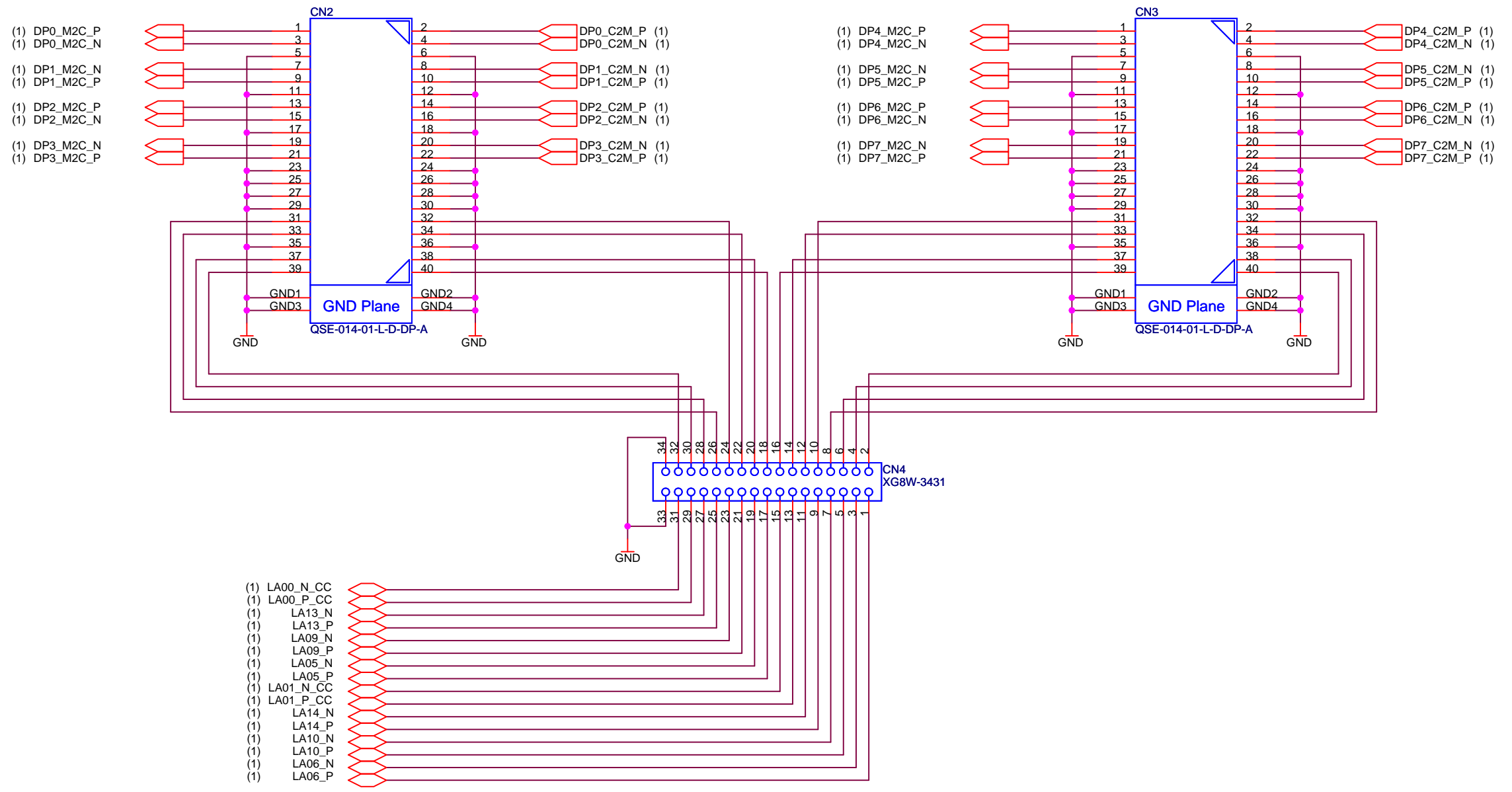


Samtec Connector (HPC)

Title		
TB-FMCH-TypeR		
Size	Document Number	Rev
A3	417-2E1501-023	2.1
Date:	Wednesday, April 07, 2010	Sheet 1 of 2



Samtec Connector / Pin Header

Title TB-FMCH-TypeR		
Size A3	Document Number 417-2E1501-023	Rev 2.1
Date: Wednesday, April 07, 2010	Sheet 2	of 2